



Australian designed and engineered to handle our harsh outback touring needs, the MSA 4X4 Straight Slide is a simple and versatile, yet convenient solution to access your fridge contents.

Designed for applications already at a low height that a drop slide would not be required, its flat mounting base allows for easy, secure fitment. Its lock-in lock-out mechanism ensures that the slide stays in the extended position regardless of the angle your vehicle is on. Its quality, **over extension** roller bearing slides allow for maximum extension to provide access to your fridge over your tailgate or rear bar. High quality roller carrier bearings ensure the smooth and almost effortless slide out or return movement of your fridge, generator or tool box. Key lock, runner locks and supplied tie down kit ensure that your tray and fridge are secure whilst traveling.

Manufactured from a powder coated steel frame, with the uniquely recognisable MSA 4X4 blue anodised faceplate provides a tough, durable and eye-catching finish.

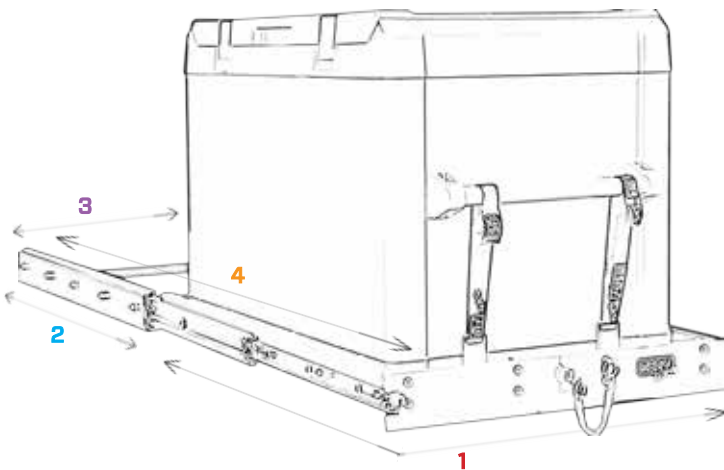
- ✓ Unique lock-in lock-out safety feature
- ✓ Heavy duty 200kg slide runner rating
- ✓ All bracket fixings and tie down straps included
- ✓ Supplied pre-assembled for easy installation
- ✓ Stainless steel & blue anodised aluminium fittings
- ✓ 4 sizes available to suit your application
- ✓ MSA 4X4 Fridge Barriers available to suit all slide models
- ✓ Holes in base tray to accommodate popular fridge models





MODEL	SL40	SL45	SL50	SL60
FRIDGE TRAY ¹	727 x 418	692 x 478	812 x 475	852 x 525
SLIDE LENGTH (CLOSED) ²	764 (+20 for lock)	729 (+20 for lock)	849 (+20 for lock)	889 (+20 for lock)
OVERALL WIDTH ³	472 (+20 for Nyloc nuts)	535 (+20 for Nyloc nuts)	529 (+20 for Nyloc nuts)	579 (+20 for Nyloc nuts)
RUNNER LENGTH (CLOSED)	764	735	849	889
SLIDE LENGTH OPEN ⁴	1634 + 20	1585 + 20	1805 + 20	1882 + 20
MOUNTING FLOOR TO BASE OF FRIDGE	30	30	30	30
LOAD RATING	200kg	200kg	200kg	200kg
WEIGHT	27kg	29kg	30kg	33kg

All measurements displayed are in mm



Australian Patent Number:
2009245888

South African Patent Number:
2010/03634

United States Patent Number:
12/734527

PCT International Patent
Application Number:
PCT/AU2008/001555



Available from over 450 stockists Australia wide.
Visit our website for your nearest stockist or for more information on our range.
msa4x4.com.au